

Digital display with five limit contacts Type M9605

3½-digit LED display

5 limit contacts

20-segment bar graph

Plug-in terminals

Flush mounting



Technical description

The display unit type M9605 can be used to display any physical unit like pressure, temperature, weight, voltage, current, %, PPM, etc. Input signals, in the form of signal currents, voltages, resistance, frequencies etc. are standard. A 24VDC or 6.9VDC 2-wire supply is available on the screw terminal strip to feed transducers and converters. External supplies are not necessary with this option and 2-wire transmitters as pressure transducers etc. are supplied via this two terminals.

The M9605 has a 3½digit LED-display and an analog 20-segment bar graph array. There are five floating alarm contacts and an optional current- or voltage signal is obtainable.

Example:

A 2-wire pressure transducer is installed near the bottom of a process vessel. The M9605 shows the 4...20mA signal as 0...100.0% with the numeric display and as a 20 segment bar. A new output signal of 0...10V for 0...100.0% is generated to be fed to a data logger. A limit contact, set at 90.0%, is connected to a alarm unit to signal "high level".

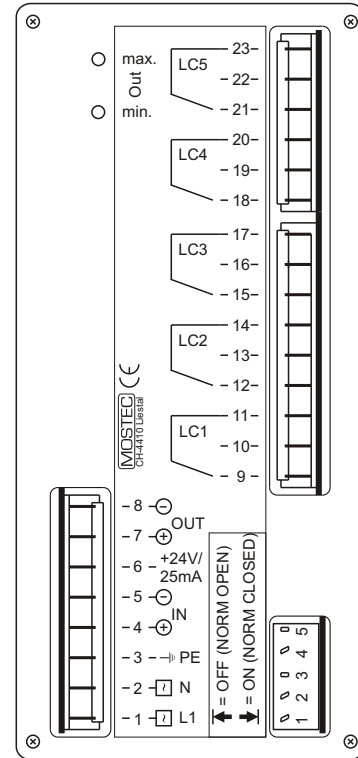
How to order:

M9605	
Input signal :	4...20mA
Display:	0...100.0%
Output voltage :	0...10V=0...100%
Supply:	230VAC

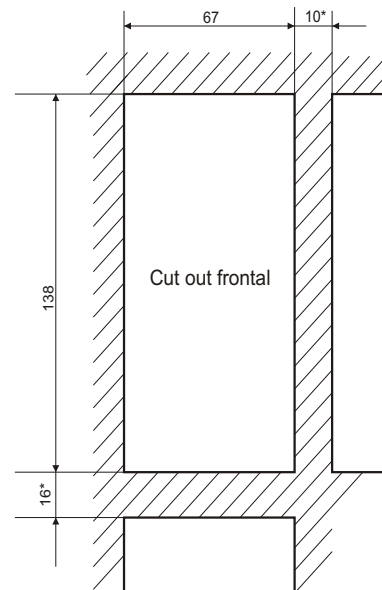
Specifications:

Signal input:	0...20mA/4...20mA or any in the range of $\pm 10\text{mV} \dots \pm 500\text{V}$
Connecting a 2-wire transmitter:	Range = 4...20mA, (+) = terminal 6, (-) = terminal 4
Display:	3½digit LED red, 13.8mm and green bar graph with 20 segments
Signal output:	0...20mA, 4...20mA, 0...10V, others on request
Max. length of output signal cable:	2000 meters, 2 wire
Signal input shunt:	50
Max. current signal load:	500
Input Impedance:	100k at 0...10V, 10G at 0...1V
Output Impedance:	<0.1
Accuracy at 23°C ambient:	3½digit display: 1digit
reproducibility:	3½digit display: <1digit
temperature coefficient:	Zero drift: typ. 30ppM/°C, Gain drift: typ. 25ppM/°C
Long-term stability (3 month):	3½digit display: 1digit
Working temperature:	-5 to +45°C
Max. humidity:	95%, non-condensing
Supply voltage:	115/230V 50-60Hz at 12VA, options: 24VAC, 24VDC fulfilled
CE-Conformity:	for signal output, digital display and bar graph array
Zero/Gain adjustment :	1digit
Adjustment:	all limit contacts can be adjusted over the full range
Limit contacts:	10 parts, others on request
Hysteresis:	Changeover 6A / 230V, with resistive load
Contact rating:	RC-filter 33nF/100 on the normally open contact, on request
Contact debouncing:	20 turn potentiometers with screwdriver slot via monostable toggle switches 1 to 5, the selected value is displayed on the digital display and on the bar graph array
Adjustment of the limit contacts:	via green LED-lamps
Show the limit values:	1 = Supply voltage L1 13 = LC2, norm. open 2 = Supply voltage N 14 = LC2, change over 3 = Supply voltage PE 15 = LC3, norm. closed 4 = Signal input + 16 = LC3, norm. open 5 = Signal input - 17 = LC3, change over 6 = 2wire supply +24V 18 = LC4, norm. closed 7 = Signal output - 19 = LC4, norm. open 8 = Signal output + 20 = LC4, change over 9 = LC1, norm. closed 21 = LC5, norm. closed 10 = LC1, norm. open 22 = LC5, norm. open 11 = LC1, change over 23 = LC5, change over 12 = LC2, norm. closed
Display the limit contacts status:	
Terminal description:	
(LC = limit contact)	
Mounting:	2 mounting clamps
Warranty:	2 years
Options:	- Output current- or voltage signal - AC signal input - Frequency input - other power supply (24VAC/DC etc.)
How to order:	M9605, Input 4...20mA, Display 0...100% Output 0...10V for 0...100%

Back panel:

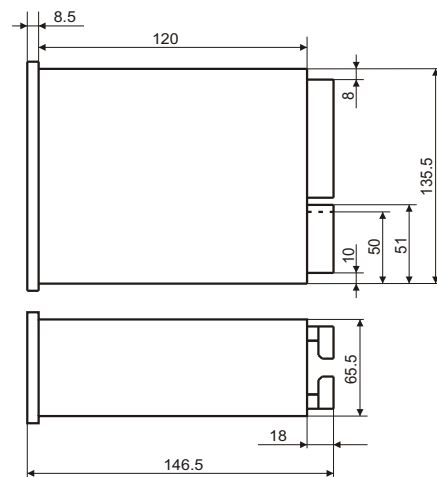


Cut out dimensions*:

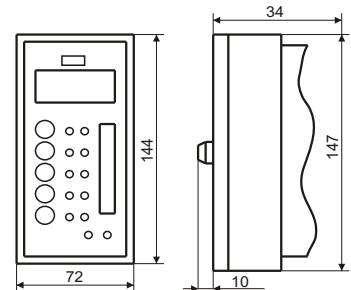


*min. distance from one instrument to the next

Dimensions:



Front panel thickness: min. 0,8mm, max. 8mm



Option
transparent
leakproof door
IP54

MOSTEC

Mess- und Regeltechnik
Lausenerstrasse 13a
CH-4410 Liestal
Switzerland
Tel. +41 61 9214090
Fax +41 61 9214083