



Alarm Unit for current signals Type M9018



Technical description

The M9018 "Snap-On" monitoring module is used to check or control any type of signal current or voltage signal. It converts the input signal to an internal standard signal of 0 to 100.0% and it will be displayed on the LCD.

Two alarm contacts can be set independently. The trip value of the contacts is set by two multiturn potentiometers on the front panel, switching the LCD-display to the corresponding alarm. The contacts are floating and are programmed to open or to close their N/O contacts when reaching the alarm limit. Each alarm status is displayed with a green lamp.

A typical application would be to measure and monitor pressure in a process vessel. The pressure transmitter converts the pressure of 1 to 10 bar to a current signal of 4 to 20mA.

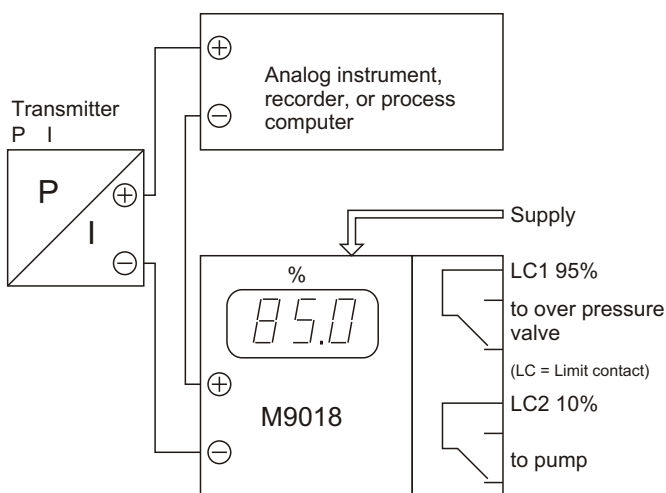
The M9018 monitors under- and overpressure in the vessel. It converts the 4... 20mA signal current to its 0...100.0%. The alarm is set between 0% (=1 bar) and 100.0% (=10 bar). With these floating alarm contacts, overpressure valves, compressors, etc. are driven directly.

How to order: M9018 with 115VAC/60Hz supply, input 4...20mA..

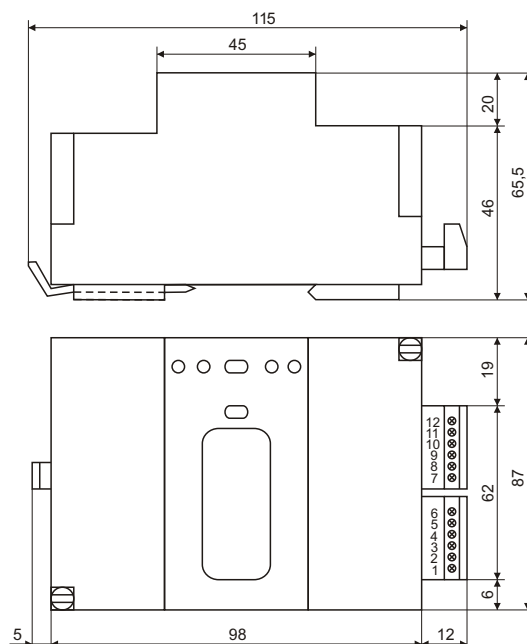
Technical Data:

Input signal:	0/4...20mA configurable with slide switch
Display:	0...100.0%, 13mm liquid crystal display
Accuracy:	0,1%
Reproducibility:	<0,1%
Temperature coefficient:	Zero drift: 30ppM/°C typical Gain drift: 25ppM/°C typical
Long-term stability:	0.1% after 90 days
Working temperature range:	-5 to +45°C
Maximum humidity:	95% non-condensing
Supply voltage:	115V/60 Hz or 230V/50 Hz at 1,8VA, others on request
Alarm contacts:	Two, adjustable between 0,0 and 100,0%
Hysteresis:	1.1% fixed, others on request
Contacts:	Floating change over contacts. N/O contact can be programmed to open or to close when reaching the alarm limit.
Maximum contact load:	6A resistive
Alarm setup:	Two 20-turn potentiometers with screwdriver slot in the front panel
Display the alarm limits:	Alarm limit 1/2 is displayed by switching two slide switches on the front panel
Alarm status display:	Each alarm contact status is displayed with a green lamp
Terminals:	Two plug-in screw terminals for supply, alarm contacts and signal.
Terminal description:	1 = alarm contact #1, norm. closed contact 7 = supply voltage L1 2 = alarm contact #1, norm. open contact 8 = supply voltage N 3 = alarm contact #1, change over contact 9 = protective earth PE 4 = alarm contact #2, norm. closed contact 10 = input signal - 5 = alarm contact #2, norm. open contact 11 = input signal + 6 = alarm contact #2, change over contact 12 = not connected
Case:	DIN-standard cutout 87.5mm, snap-on to DIN 46277 rails
Weight:	370g (=13 ounces)
Options:	-Special ranges -Supply voltage: 24VAC -Supply voltage: 24VDC

Pressure control:



Dimensions:



MOSTEC

Mess- und Regeltechnik
 Lausenerstrasse 13a
 CH-4410 Liestal
 Switzerland
 Tel. 061/9214090
 Fax 061/9214083