

Miniature digital display for physical units Type M2029



Technical description

The M2029-A and M2029-AR are panel mounted display units to display physical units as: pressure, weight, RPM, temperature, voltage, current, %, ppM etc.

Input signals are voltages or currents. An isolating switching power supply is used to galvanically isolate between supply and signal. Two optional, floating alarm contacts for heavy loads are available.

The small outlines, W x H x D of 48 x 24 x 75mm makes the instrument useful on highly populated panels.

A 4-digit LED display shows the actual value and setpoints or alarm values in the range of -1999 to 9999 units.

All settings as alarm values, hysteresis, range and operating mode of the floating contacts can be made with a link cable, connected to a personal computer or a laptop.

Both alarm contacts can also be programmed with two tiny push button switches behind the front panel.

Example:

The pressure is measured in a process vessel by means of a pressure transducer with an output signal of 4...20mA corresponding to a pressure of 1...10bar.

The pressure is displayed in the form of 1.00...10.00bar. One of the two alarm contacts is set at 7.00bar to signal high pressure to the process computer.

How to order:

M2029-AR (with alarm contacts)	
Input:	4...20mA
Display:	1,00...10,00bar
Alarm setting:	7,00bar, or with no factory presetting of the alarms

Technical Data:

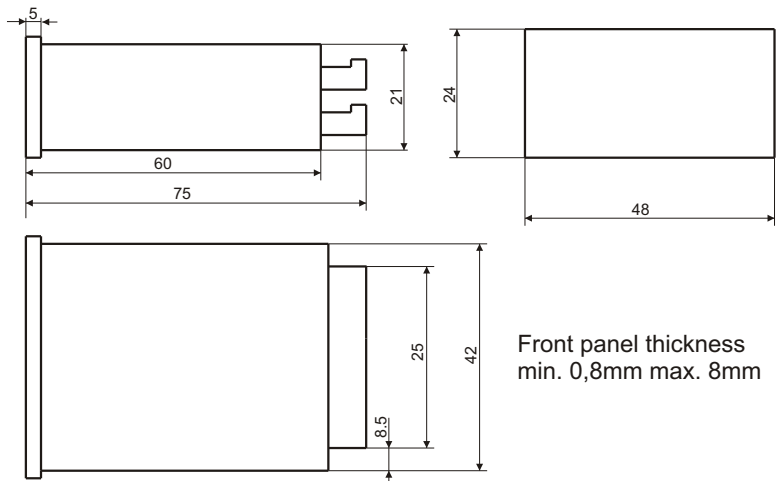
Signal input:	0/4...20mA/0...1V, 10V, others programmable																		
Input impedance:	- Current input = 22 (= input load) - Voltage input 1.1M @ 0...1V, 1.8M @ 0...10V																		
Display:	4digit LED red, 10mm																		
Display range:	-1999...9999 digit																		
Accuracy:	±0.05%, at 23°C ambient																		
Reproducibility:	±0.05%, at 23°C ambient																		
Temperature coefficient:	zero drift: typ. 30ppM/°C, gain drift: typ. 25ppM/°C																		
Long-term stability (3 month)::	±0.1%																		
Working temperature:	-5 to +45°C																		
Max. humidity:	95%, non-condensing																		
Power supply:	24VAC/DC -20%/+5%, isolated																		
Power supply load:	2.0W																		
CE-conformity:	fulfilled																		
Range adjustment:	by computer programmable																		
Zero and gain adjustment:	by computer programmable																		
Limit contacts M2029-AR:	all limit contacts can be adjusted over the full range																		
Hysteresis:	programmable, standard ±5digit																		
Contact rating:	230V/3A with resistive load																		
Adjustment of the limit contacts:	with two front accessible toggle switches or programmable by computer																		
Show the limit values:	with two front accessible toggle switches or programmable by computer																		
Display the limit contacts status:	by red LED-lamps																		
Display the physical unit:	by red LED-lamp																		
Terminals:	6 screw terminals for M2029-A, 6+2x2 screw terminals for M2029-AR																		
Terminal description:	<table border="0"> <tr> <td>M2029-A (-AR)</td> <td>M2029-T (-TR)</td> </tr> <tr> <td>1 = voltage Input (+)</td> <td>Sensor (-)</td> </tr> <tr> <td>2 = current Input (+)</td> <td>Sensor (-) Sense</td> </tr> <tr> <td>3 = input (-)</td> <td>Sensor (+)</td> </tr> <tr> <td>4 = PE</td> <td></td> </tr> <tr> <td>5 = power supply 24VAC/DC(-)</td> <td></td> </tr> <tr> <td>6 = power supply 24VAC/DC(+)</td> <td></td> </tr> <tr> <td>7 + 8 = norm. open contact 1 (GW1)</td> <td></td> </tr> <tr> <td>9 + 10 = norm. open contact 2 (GW2)</td> <td></td> </tr> </table>	M2029-A (-AR)	M2029-T (-TR)	1 = voltage Input (+)	Sensor (-)	2 = current Input (+)	Sensor (-) Sense	3 = input (-)	Sensor (+)	4 = PE		5 = power supply 24VAC/DC(-)		6 = power supply 24VAC/DC(+)		7 + 8 = norm. open contact 1 (GW1)		9 + 10 = norm. open contact 2 (GW2)	
M2029-A (-AR)	M2029-T (-TR)																		
1 = voltage Input (+)	Sensor (-)																		
2 = current Input (+)	Sensor (-) Sense																		
3 = input (-)	Sensor (+)																		
4 = PE																			
5 = power supply 24VAC/DC(-)																			
6 = power supply 24VAC/DC(+)																			
7 + 8 = norm. open contact 1 (GW1)																			
9 + 10 = norm. open contact 2 (GW2)																			
Mounting:	2 mounting clamps																		
Weight:	80g																		
Warranty:	2 years																		
Options:	- USB programming unit for MOSTEC devices with cable and software - Other power supply, signal input																		
How to order:	M2029-AR (with limit contacts) input 4...20mA, display 1,00...10,00bar, GW1=2,00bar, GW2=9,50bar																		

Programming by Laptop:

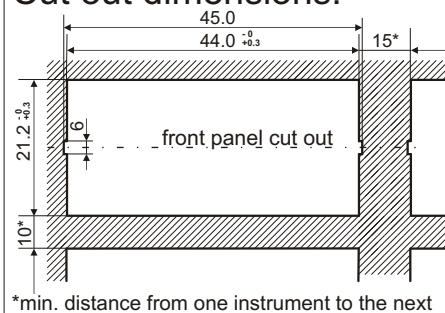


Note:
- Connect to the USB interface by a Mostec programming unit
- Download free programming software: www.mostec.ch

Dimensions:



Cut out dimensions:



MOSTEC

Mess- und Regeltechnik
Lausenerstrasse 13a
CH-4410 Liestal
Switzerland
Tel. +41 61 921 40 90
Fax +41 61 921 40 83